

Air Cylinder & Slides Overview

Vacuum Cylinder

p.542



Short-Stroke Cylinder

p.546



Cylinders with Arms

p.548



Aluminum Mini-Cylinder

p.552



Accessories for Cylinders

p.554



Heavy-Duty Gripper Slide

p.558



Mini Slides

p.560



Heavy-Duty Guided Cylinder

p.568



Long-Stroke Pneumatic Slide

p.582



Gimapick Cylinder

p.586



Gimapick Lifter

p.588

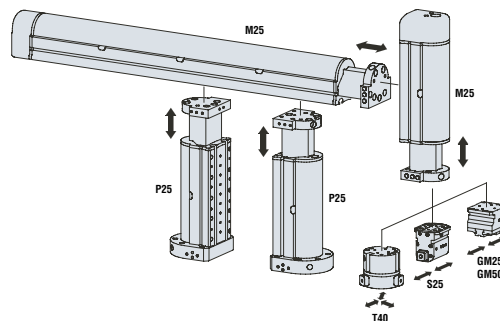


Gimapick Slide

p.590

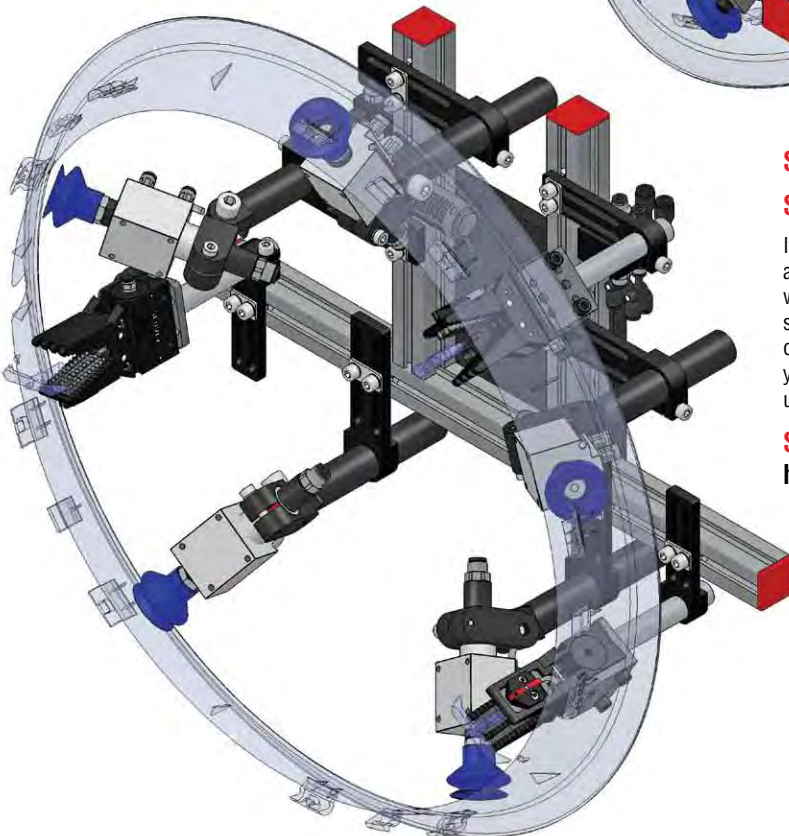
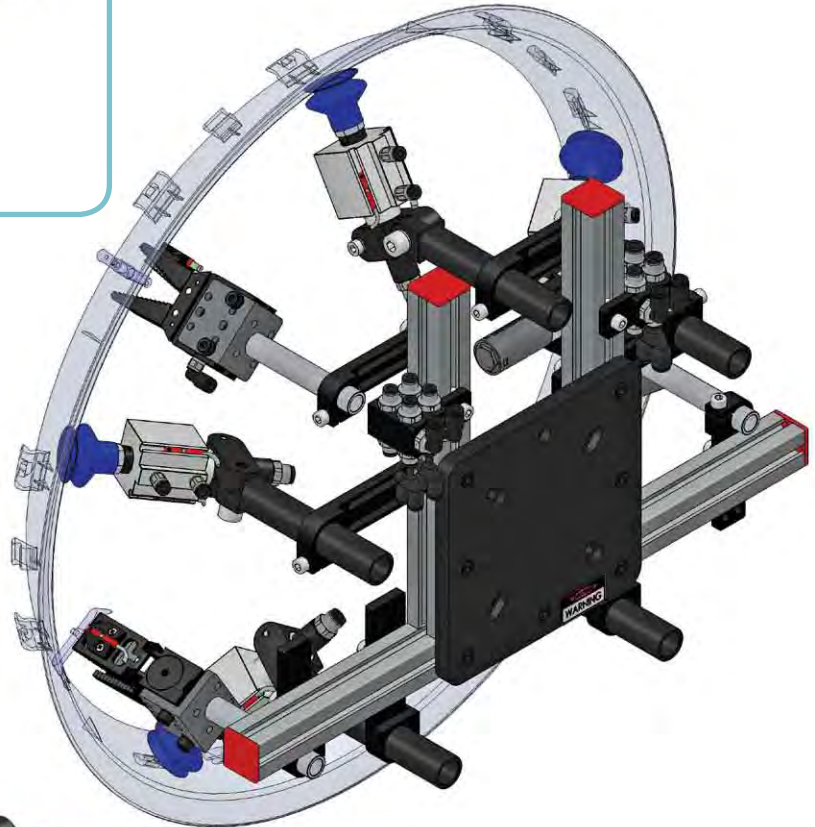
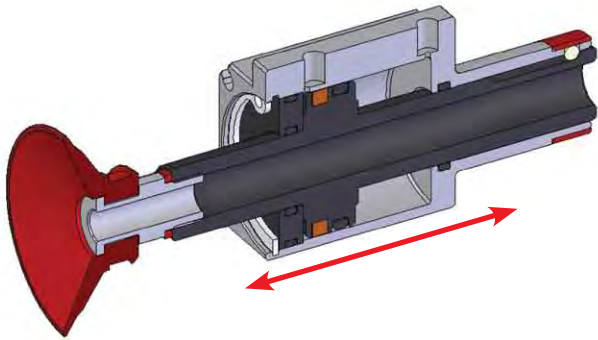


Modular - Standard components are used to configure Gimapick pick, and place robots to suit your application needs.



p.592

Free Engineering Design Service



Save Time—Use EMI's FREE Engineering Service

Save Money—Assemble the EOAT yourself

It's simple, it's free, and there's no obligation. Send us your part and a completed datasheet (see page 910). Our EOAT engineers will design a complete tooling for you in 3D CAD. We will also supply a complete bill of materials with prices. There's no cost or obligation to you for this service. Obviously, we hope that you are happy with our service and buy the components from us. Then assemble the tooling yourself and save money.

Save Headaches—Use EMI's build service and have EMI assemble the EOAT for you.