

Gimatic Framing Overview

Extruded Profiles

p.90



Angle Joint Connector

p.95



Square Joint Connector

p.96



Cross Joint Connector

p.97



Threaded Mounting Bracket

p.102



Cross Clamp

p.105



Angle Clamp

p.107



Angle & Elbow Arms

p.110



Arms for Vacuum Cups

p.112



Vacuum Cup Brackets

p.116



Vacuum Extension Tube

p.114

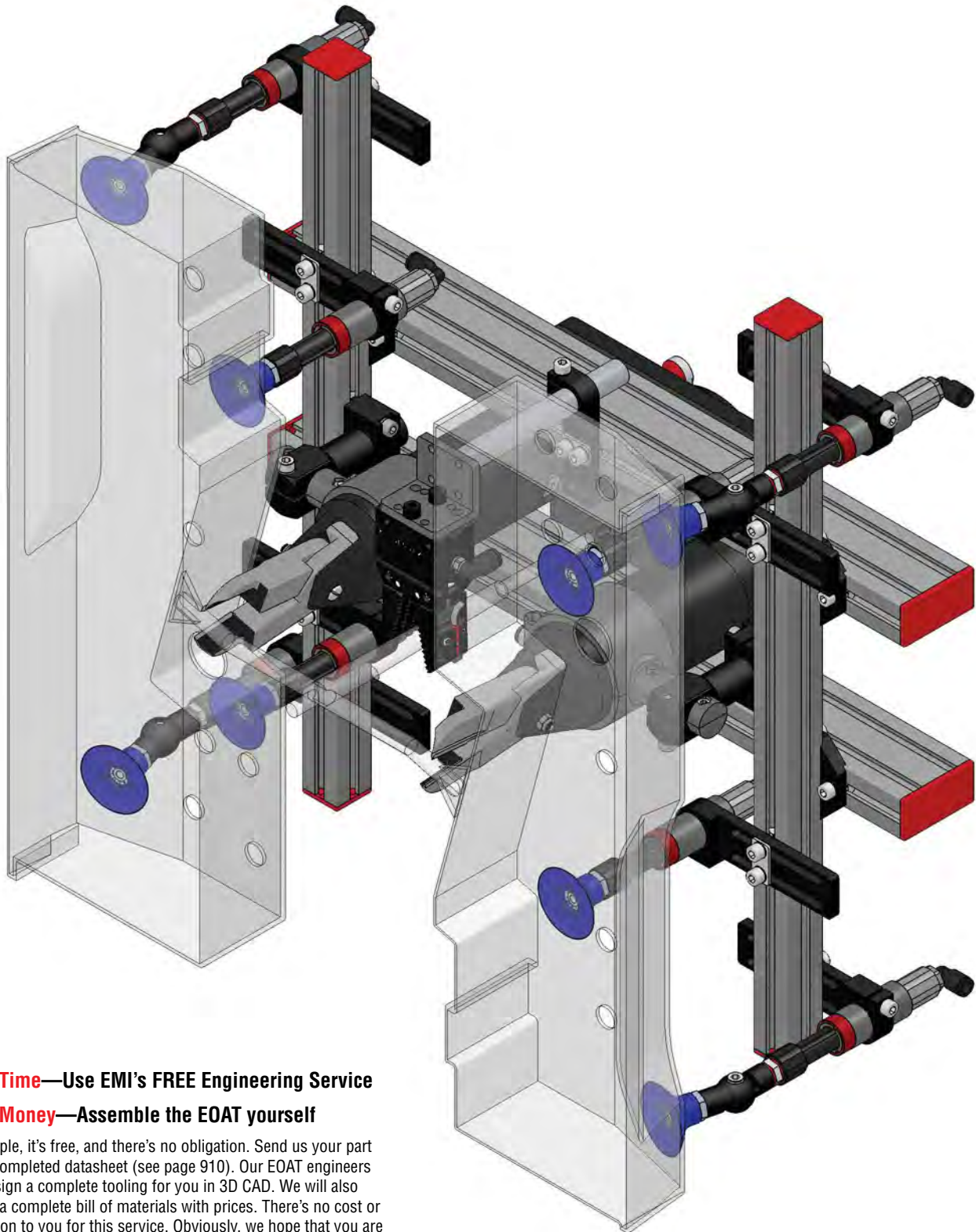


Vacuum Elbow

p.115



Free Engineering Design Service



Save Time—Use EMI's FREE Engineering Service

Save Money—Assemble the EOAT yourself

It's simple, it's free, and there's no obligation. Send us your part and a completed datasheet (see page 910). Our EOAT engineers will design a complete tooling for you in 3D CAD. We will also supply a complete bill of materials with prices. There's no cost or obligation to you for this service. Obviously, we hope that you are happy with our service and buy the components from us. Then assemble the tooling yourself and save money.

Save Headaches—Use EMI's build service and have EMI assemble the EOAT for you.