

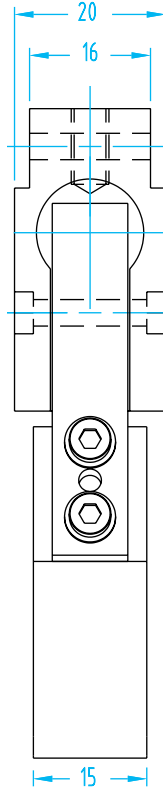
Poly Angular Gripper

(Dimensioned drawings shown full scale)

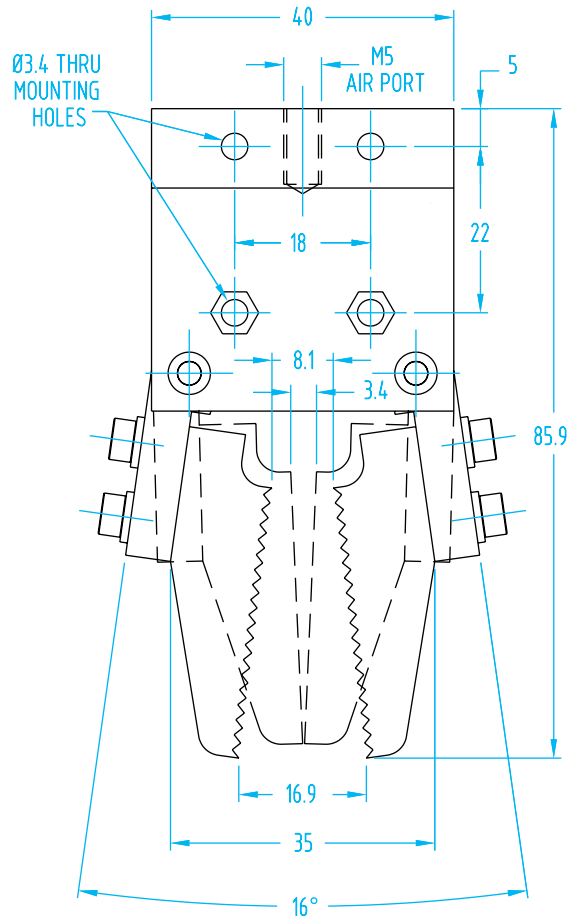
Poly Angular Grippers - Ideal for Sprue Picker EOATs

- Plastic construction provides extremely high grip force to weight ratio
- Use this gripper when building EOATs for use with sprue pickers
- Available in single acting only
- Spring-open
- Maintenance-free life expectancy of 2 million cycles
- Not field repairable
- Body is made of plastic, internal piston is made of aluminum

Sprue Grippers



Order fingers for sprues separately.



Fittings Available on Page 859



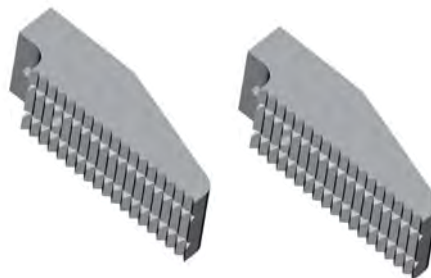
Quick#	Part#	Price	Gripper Size	Jaw Stroke	Applicable Sprue Ø	lbs. Force at Tooling Length:*			Weight
						15mm	25mm	35mm	
701	GSG-AP-S32	\$90.00	32	16°	2–5mm	13 lbf	8 lbf	6 lbf	36g
703	GSG-AP-S40	\$99.00	40	16°	4–10mm	35 lbf	21 lbf	15 lbf	45g
702	GSG-AP-S50	\$119.00	50	16°	5–14mm	74 lbf	44 lbf	32 lbf	60g

*Force when compressed air is supplied at 87psi. Tooling length is measured from jaw pivot point.

Sprue Finger Sets - Hardcoat Anodized Aluminum

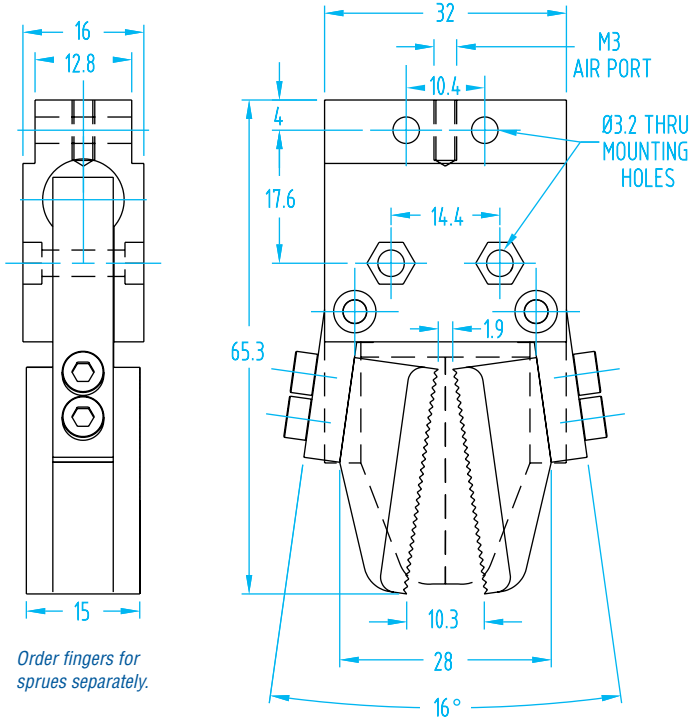
Quick#	Part#	Gripper	Weight	Price
592	GSG-F-S32	32	18g	\$22.78
593	GSG-F-S40	40	26g	\$23.84
594	GSG-F-S50	50	43g	\$24.91

Fasteners Included.



Poly Angular Gripper

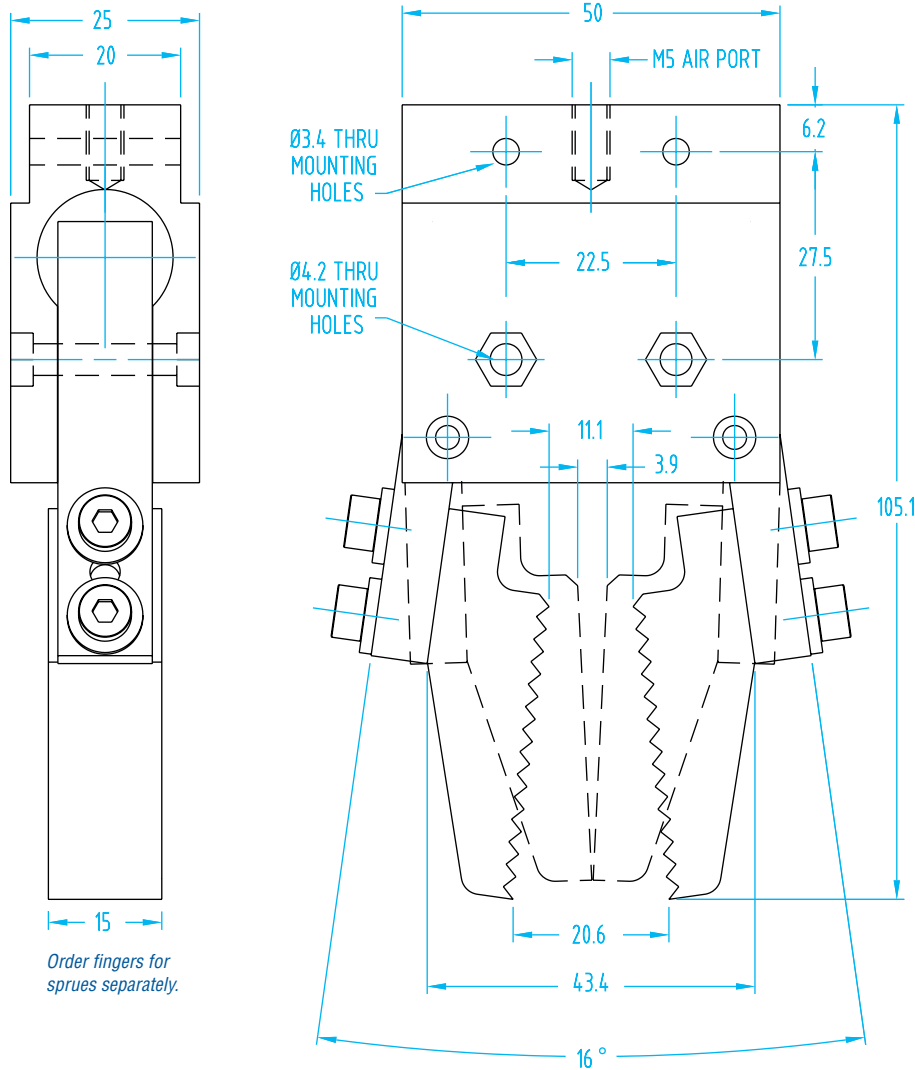
(Dimensioned drawings shown full scale)



Order fingers for sprues separately.



#701 (Gripper size 32)



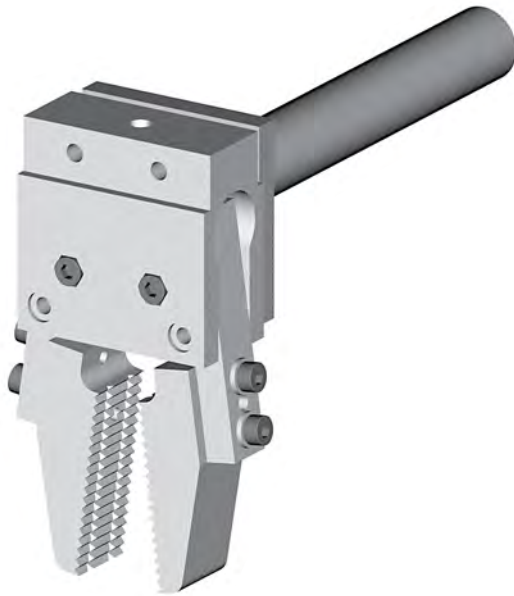
Order fingers for sprues separately.



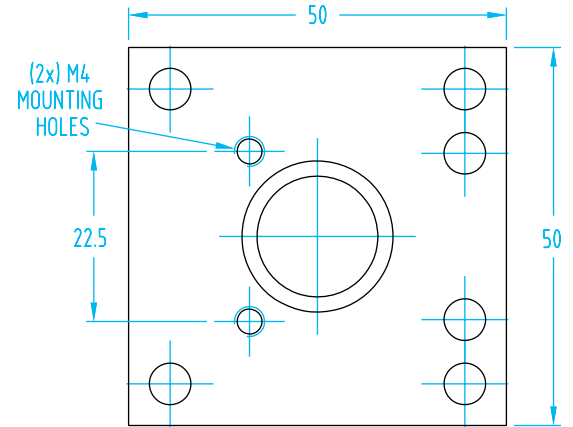
#702 (Gripper size 50)

Gripper Mounting Brackets

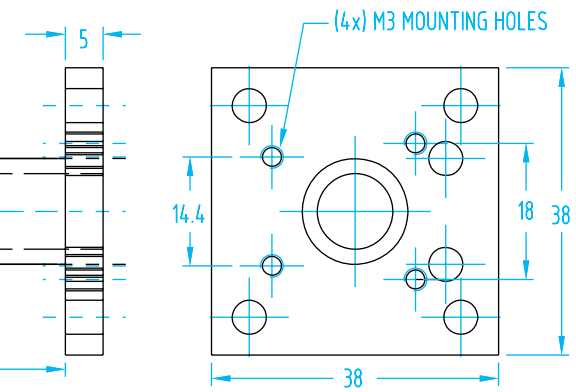
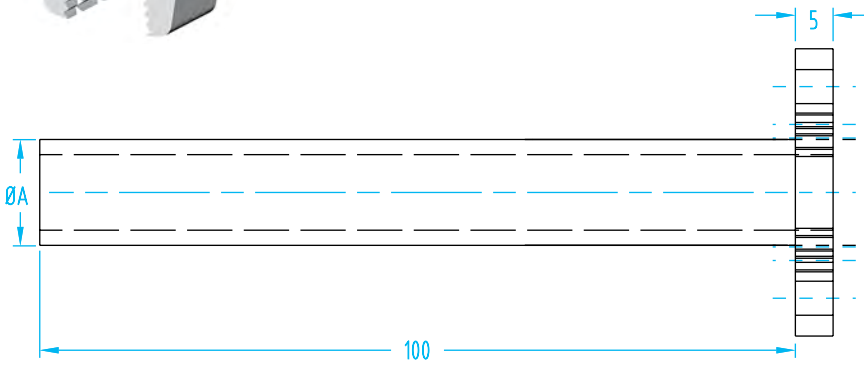
(Dimensioned drawings shown full scale)



#575 (for size 50 gripper)



Sprue Grippers



#574 (for size 32 & 40 gripper)

Round Mounting Brackets

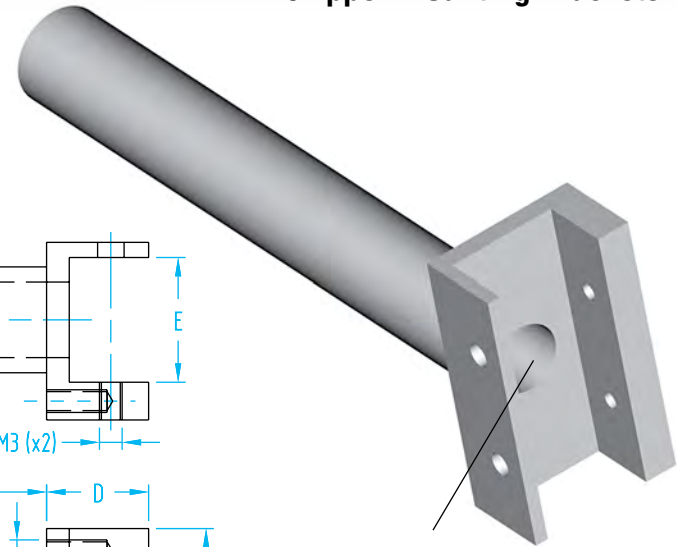
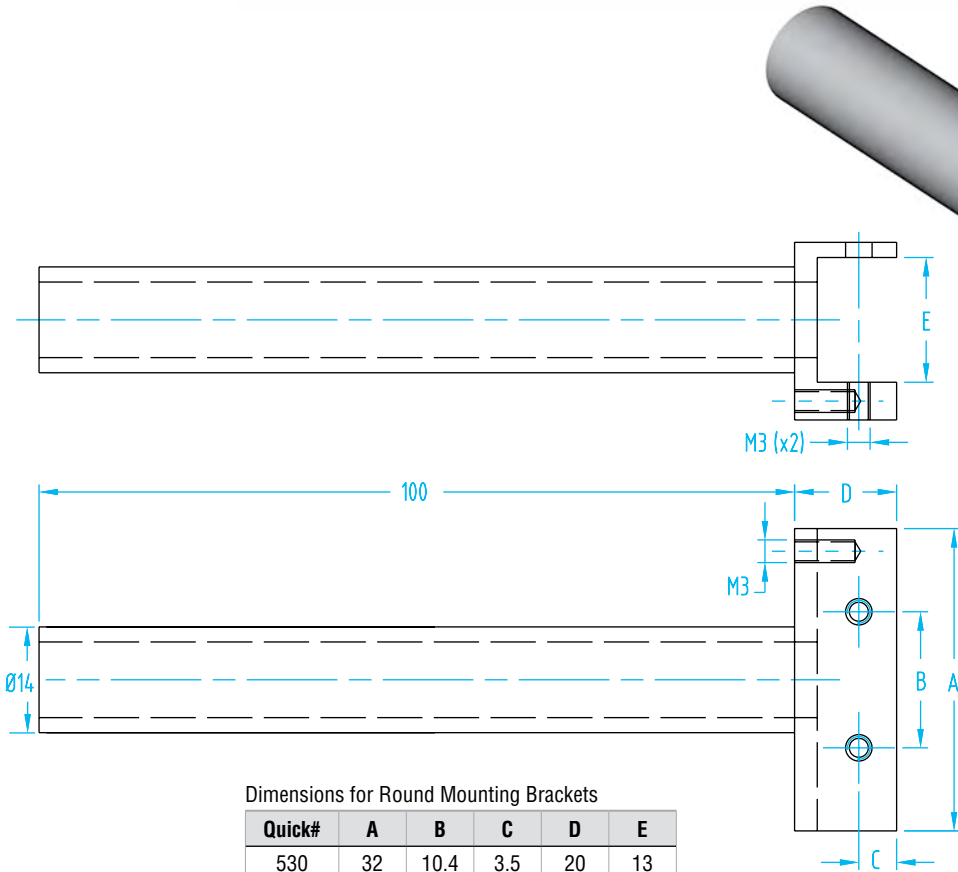
Quick#	Part#	Gripper	ØA	Weight	Price
574	GSC-RMB-3	32 & 40	14mm	36g	\$22.69
575	GSC-RMB-4	50	20mm	58g	\$23.67

For use with gripper size 32, order separately 2@ M3x16 mm, see page 889.

For use with gripper size 40, order separately 2@ M3x22 mm, see page 889.

For use with gripper size 50, order separately 2@ M4x30 mm, see page 889.

Gripper Mounting Brackets



Push-to-Connect Fittings
#101, #102 fits in I.D.
(see page 863)

Dimensions for Round Mounting Brackets

Quick#	A	B	C	D	E
530	32	10.4	3.5	20	13
529	40	18	5	23.5	16.5
531	50	28	6	27.25	20.25

Round Mounting Brackets

Quick#	Part#	Gripper Size	Weight	Price
530	GSC-RMB-S32	32	33g	\$20.83
529	GSC-RMB-S40	40	36g	\$24.54
531	GSC-RMB-S50	50	39g	\$25.46

Includes gripper mounting screws.

