

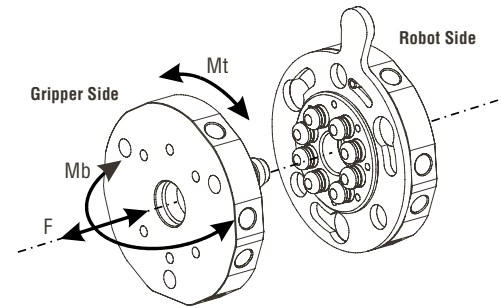
# Small Size Gimatic Quick Changers

(Dimensioned drawing shown full scale)

Quick Changers



#6423 - Small Gripper-Side Quick Changer

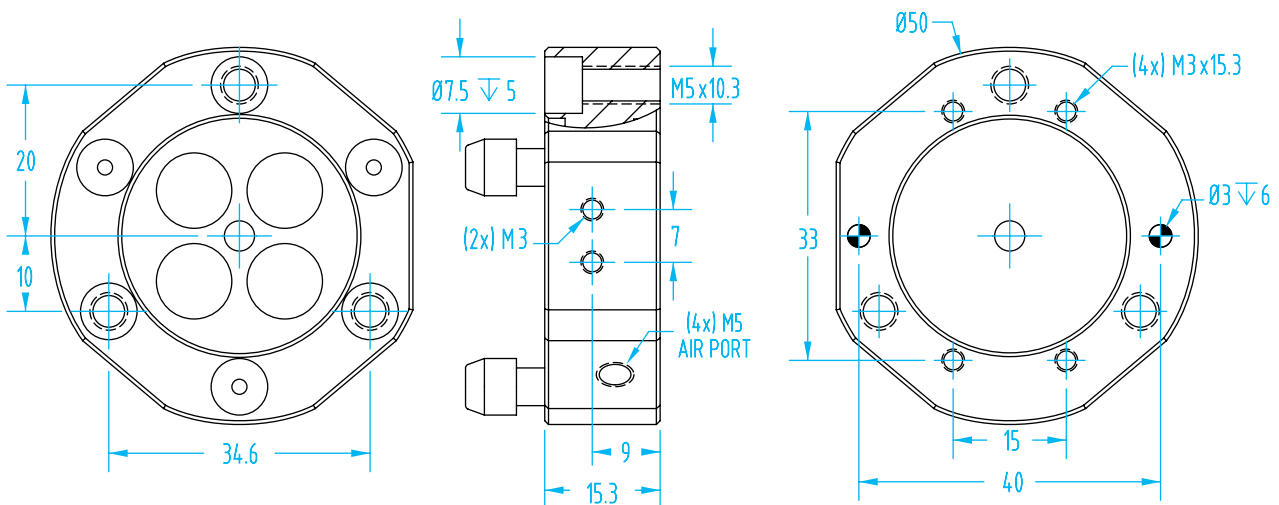


Specifications for Small Size Quick Changer		
Weight	Robot Side	65g
	Gripper Side	104g
Maximum Air Pressure	6 bar (87psi)	
Air Ports	(4X) M5	
Electrical Connector	Optional - Adapter needed	
<b>Safety Loads:</b>		
F 34 lbs.	Mt 15 ft-lbs.	Mb 7.3 ft-lbs.
Estimated Maximum EOAT size: 4.5 lbs.		
- Preliminary Specifications -		

Electrical connectors mount to quick changer



The small size quick changer needs an adapter (Quick# 6743) which is sold separately on page 1029. See page 16 for more information about electrical connectors.



## Small Size Gimatic Quick Changers

(Dimensioned drawing shown full scale)

### Small Size Quick Changers

Quick#	Part#	Description	Price
6422	QC50-A	Robot Side - Small size	\$199.00
6423	QC50-B	Gripper Side - Small size	\$99.00
5039	CAQC	Robot-Side Electrical Connector	\$79.00
5040	CBQC	Gripper-Side Electrical Connector	\$44.00
6542	CEQC	D-sub Cable (1.5M) for Electrical Connectors	\$26.00
6743	QC50-K	Electrical Connector Adapter for Small Size QC's	\$16.00

When ordering, use Quick#s to ensure order accuracy.



Quick  
Changers

#6422 - Small Robot-Side Quick Changer



Small Size Quick Changer Coupled  
- Enlarged to show detail.

