

Specialty Gripper Overview

Mini Grippers p.360



Mini Grippers p.366



ID Micro Grippers p.371



ID Expansion Grippers p.372



ID Gripping Air Hands p.382



Dock & Lock Gripper p.370



ID Grippers p.390



Needle Gripper for Fabric p.392



High-Speed Grippers p.394



PB Gripper p.396



PS-P Grippers p.398



PS Gripper p.401



PA Gripper p.404



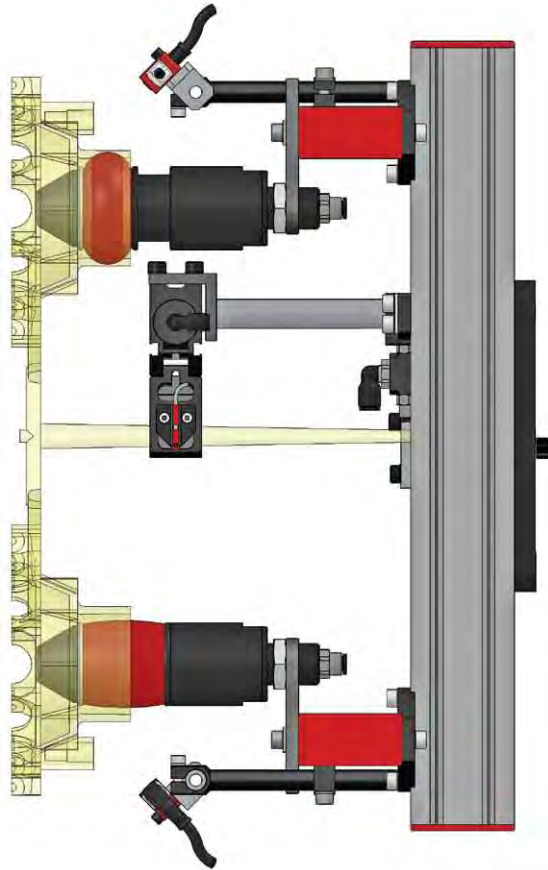
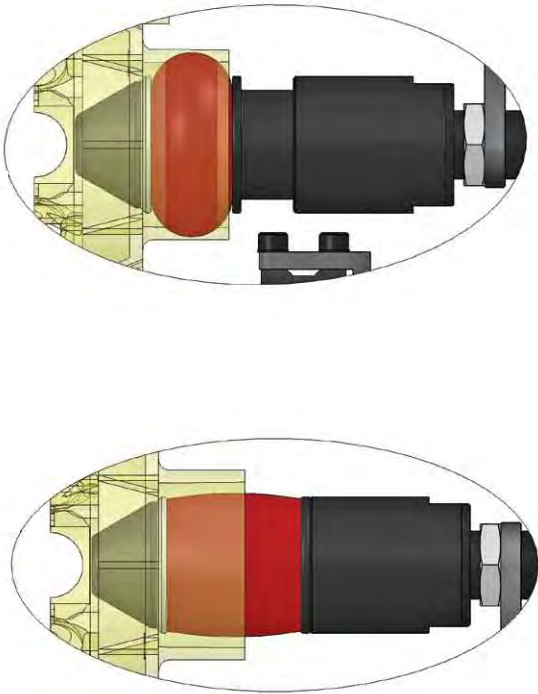
T Grippers p.408



S Gripper p.410



Free Engineering Design Service

**Save Time**—Use EMI's FREE Engineering Service**Save Money**—Assemble the EOAT yourself

It's simple, it's free, and there's no obligation. Send us your part and a completed datasheet (see page 910). Our EOAT engineers will design a complete tooling for you in 3D CAD. We will also supply a complete bill of materials with prices. There's no cost or obligation to you for this service. Obviously, we hope that you are happy with our service and buy the components from us. Then assemble the tooling yourself and save money.

Save Headaches—Use EMI's build service and have EMI assemble the EOAT for you.